

Infrared Control Valve

Urinal flushing

Product code:
- IRC2 (shown below)



Infrared valve with PIR sensor



This market-leading Infrared Control Valve (IRC) has been specifically designed to reduce water wastage, by minimising water usage by 80% when used in standard mode and when compared to a petcock or bibtap, which can be further enhanced when used in “ECO mode”. As soon as the passive sensor detects movement within the washroom, the smart IRC will automatically supply water to the urinal cistern efficiently.

The compact IRC is offered with both mains and battery power, to provide full confidence in the event of a power outage, while the 12-hour hygienic flush feature ensures that the urinal cisterns are periodically flushed with water to ensure full hygiene standards are always met.

The IRC is specifically suited for all urinal washroom environments and is easy to install and maintain. The IRC is versatile as it can either be mounted onto a pipe, wall or ceiling depending on requirements. The solid-brass valve body ensure that this IRC is built to last and is vandal resistant as it can be installed flush against ceilings.

Key features and benefits

- **Water saving and sustainable** - reduce water consumption by a minimum of 80% in “normal mode”
- **ECO mode** - saves even more water
- **Save** - Product payback in as little as 8 months
- **Easy to install and maintain** - pipe, wall or ceiling mounted sensor - surface mounted or recessed
- **Vandal resistant** - can sit flush to ceiling
- **Mains and battery power** - options out of the box
- **Battery back-up** - in the event of a power cut
- **Robust** - brass-bodied solenoid valve
- **Hygiene flush feature** - 12 hour cycle
- **Adjustable** - flow rate
- **Extended warranty** - 3 years
- **Support** - environmental building schemes
- **WRAS approved**
- **UK manufacturer**



3 YEAR
extended
warranty

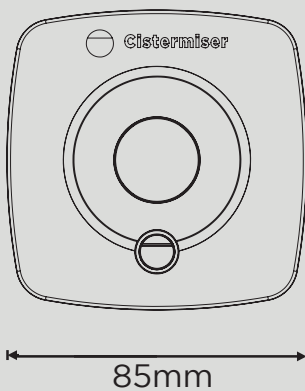
Infrared valve with PIR sensor

Motion-sensing infrared flushing control valve complete with brass-bodied solenoid valve and flush mounting bracket for ceiling or cavity wall installations, battery or mains-powered, for cistern-flushing applications

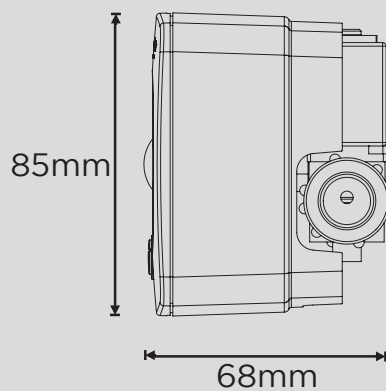
Technical information

- **Dimensions** 85mm W x 85mm H x 68mm D including the sensor lens
- **Sensor Range** 125° infrared detection, spanning 9.2 metres at floor level with a maximum height detection range of 2.5 metres
- **Normal battery life** up to 3 years, depending on washroom usage
- **Front access** to the battery compartment, via the removable facia
- **Rear access** to terminals for a 230V mains power supply to the integral transformer and the 6V DC output to the solenoid

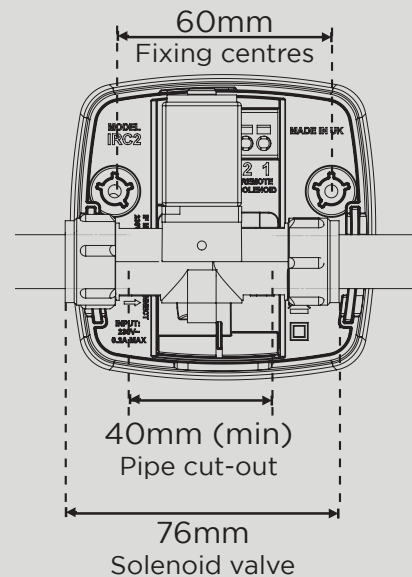
Front view



Side view



Back view



Measurements in millimetres (mm)

Installation

- Operating pressure: 0.1 - 6.0 bar. Integral slow-fill flow regulator. If supply pressure is above 6.0 bar, fit a pressure reducing valve.
- Power requirements: 6V from 4 x 1.5 alkaline AA (LR6) batteries or 230V mains power supply.
- Pipe fittings: 15mm compression fittings are included.

Cistermiser Limited

Unit 1 Woodley Park Estate, 59-69 Reading Road, Woodley, Reading, Berkshire RG5 3AN. Cistermiser is a subsidiary of Davidson Holdings Ltd. Cistermiser Ltd reserves the right to amend images and specification without prior notice.

